

# Model DC115-12

(115AH/12 Volt)

**BCI GROUP: 31**



**DEEP CYCLE SERIES**



## CONSTANT CURRENT DISCHARGE (Amps)

CUT OFF VOLTAGE V/cell	30M	45M	1H	2H	3H	5H	8H	10H	12H	20H	24H
1.75V	104.5	75.3	62.1	33.0	27.0	17.5	11.9	10.4	8.8	5.8	4.8

## RESERVE CAPACITY

@25 AMPS	@75 AMPS
200 Minutes	45 Minutes

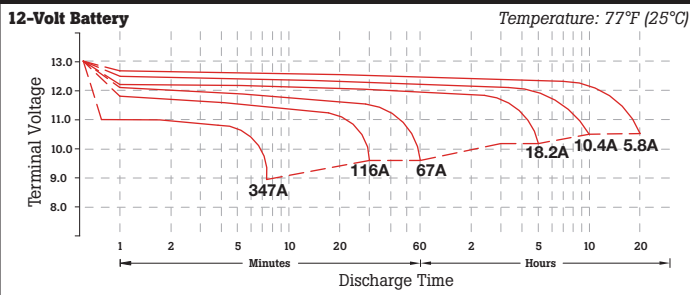
## SPECIFICATIONS

Nominal Voltage		<b>12 Volt</b>
Rated Capacity (20 hour rate)		<b>115AH</b>
Dimensions	Total Height (including terminals)	<b>220mm (8.66")</b>
	Height	<b>214mm (8.43")</b>
	Length	<b>328mm (12.91")</b>
	Width	<b>172mm (6.77")</b>
Weight		<b>32.8kg (72.1 lbs)</b>

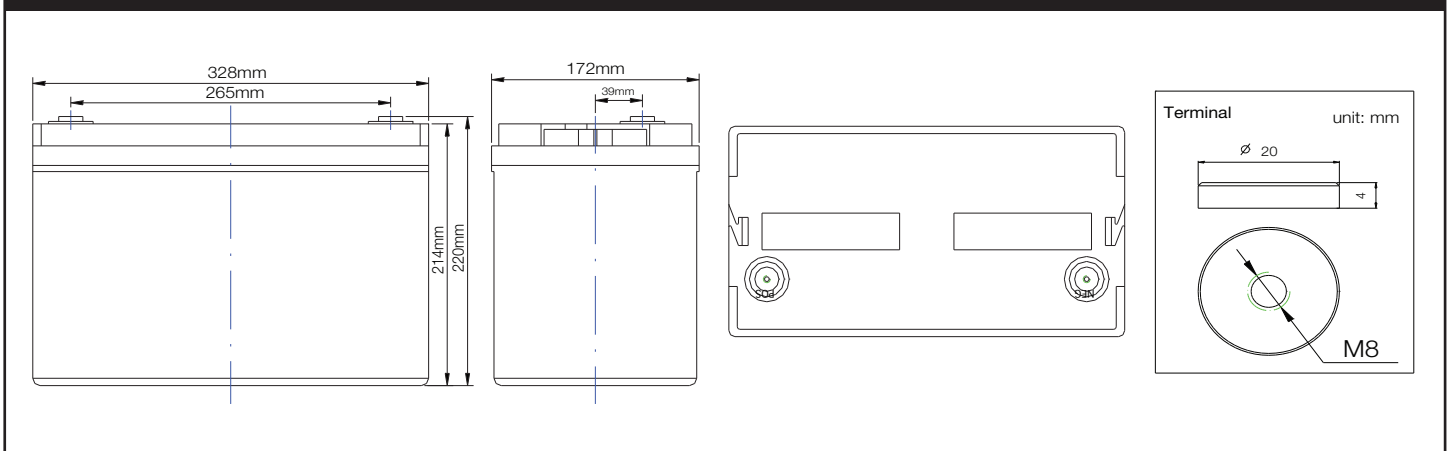
## CHARACTERISTICS

<b>Capacity</b> 77°F (25°C)	20 Hour Rate (5.8A to 10.5 Volts)	<b>115AH</b>
	10 Hour Rate (10.4A to 10.5 Volts)	<b>104AH</b>
	5 Hour Rate (18.2A to 10.2 Volts)	<b>91AH</b>
<b>Internal Resistance</b>	Full charged Battery 77°F (25°C)	<b>3.8m Ω</b>
<b>Capacity Affected by Temperature</b> (20 Hour Rate)	104°F (40°C)	<b>102%</b>
	77°F (25°C)	<b>100%</b>
	32°F (0°C)	<b>85%</b>
	5°F (-15°C)	<b>65%</b>
<b>Self-Discharge</b> 77°F(25°C)	Capacity after 3 month storage	<b>91%</b>
	Capacity after 6 month storage	<b>82%</b>
	Capacity after 12 month storage	<b>64%</b>
<b>Max. Discharge Current</b> 77°F (25°C)	1100A (5s)	
<b>Terminal Standard</b>	M8	
<b>Charging</b> (Constant Voltage)	<b>Cycle</b>	Initial Charging Current $\leq 0.2 \times C20$ 14.4V ~ 14.9V/77°F (25°C)
	<b>Float</b>	13.6V ~ 13.8V/77°F (25°C)

## DISCHARGE CHARACTERISTICS



## SIZE & DETAILED ILLUSTRATION



This information is generally descriptive only and is not intended to make or imply any representation, guarantee or warranty with respect to any cells and batteries. Cell and battery designs/specifications are subject to modifications without notice. Contact Fullriver for the latest information.