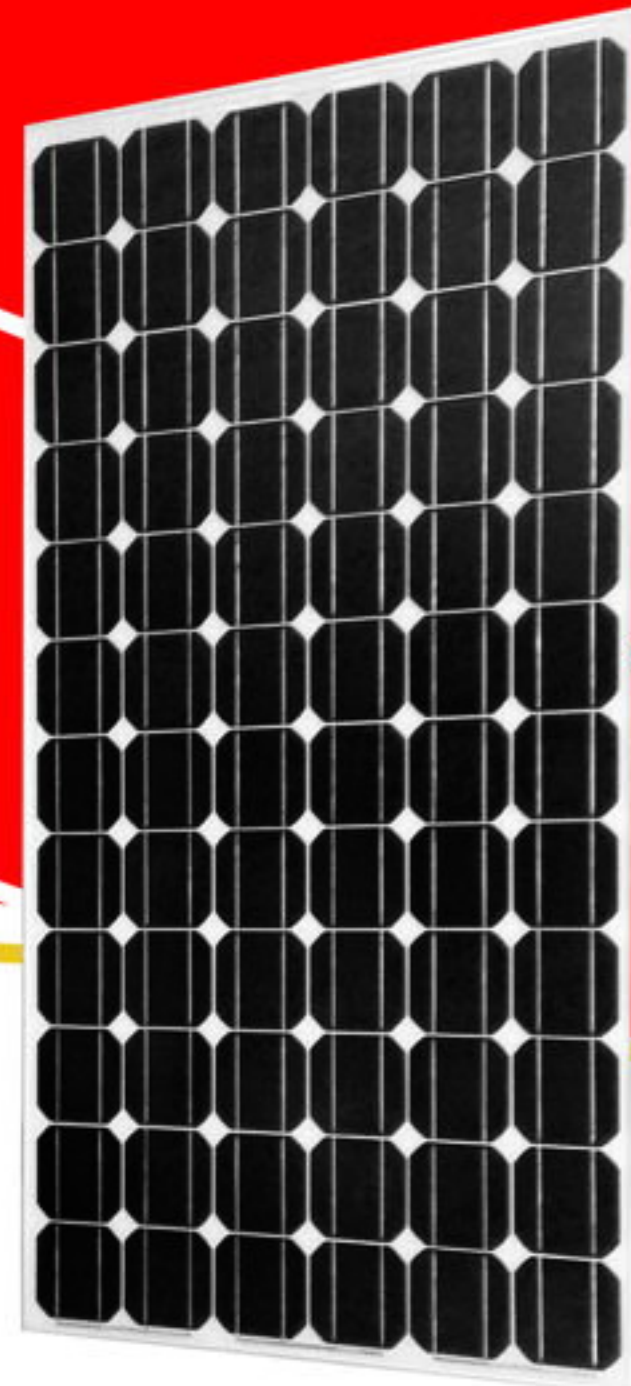


# SR MODULE

SR-M572200-1 SR-M572195-1 SR-M572190  
 SR-M572185 SR-M572180 SR-M572175



## STRENGTHS

- Tolerance  $\pm 3\%$
- Plug & Play Connectors
- High Transmission, Low Iron Tempered Glass
- Bypass Diodes Protection

## WARRANTY

- Manufacturing 10 years
- Power production 90%: 10 years  
80%: 25 years

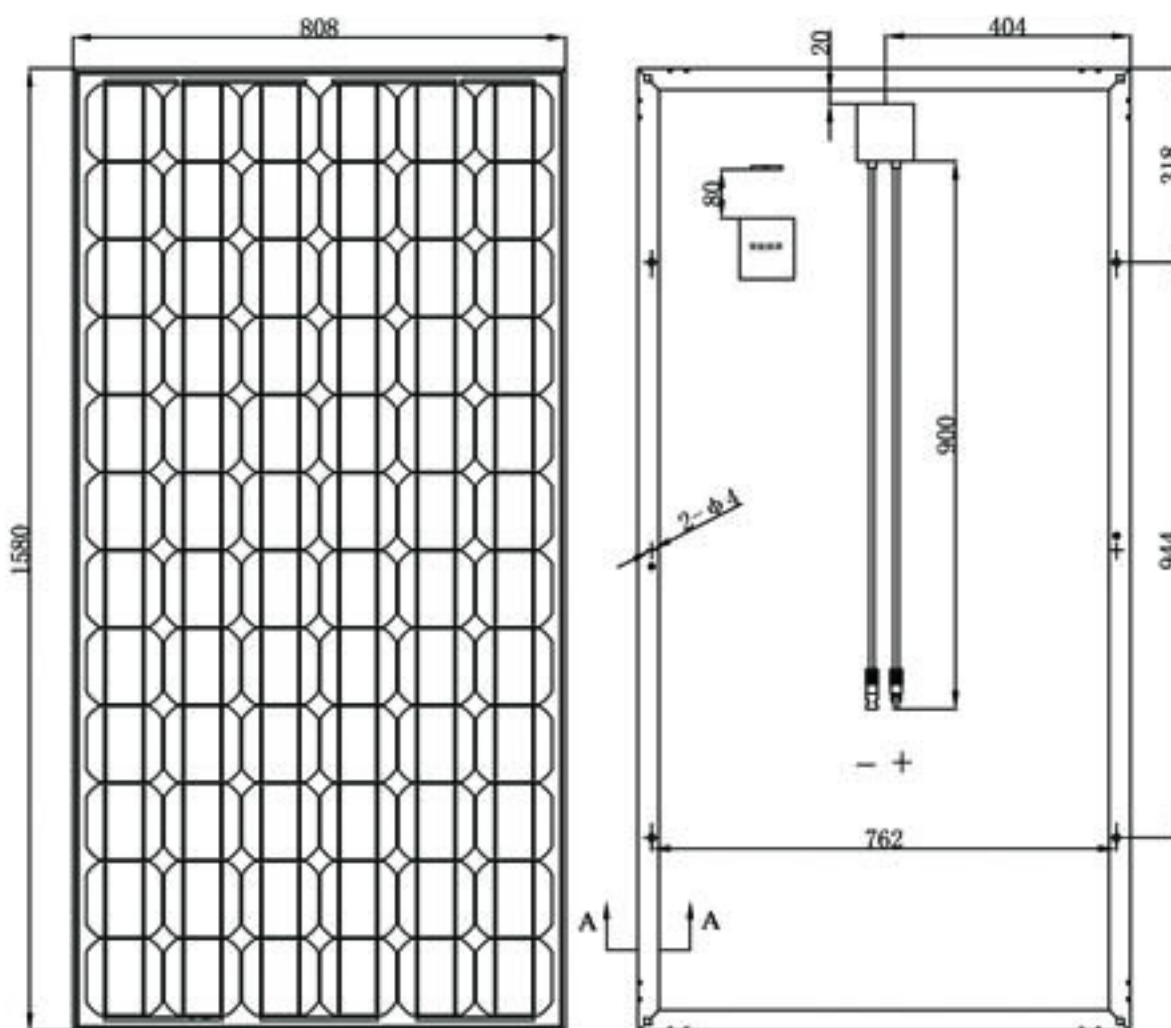
## INSURANCE

- Insured by CHUBB

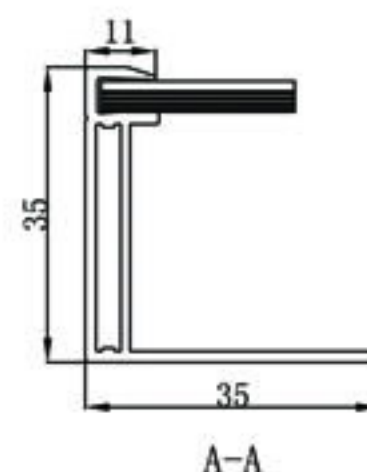
## CERTIFICATES



## PHYSICAL CHARACTERISTICS Unit:mm



Dimensions	(mm)	1580×808×35
Weight	(kg)	15.5
Quantity/Pallet		28 pcs/pallet
Loading Capacity		336 pcs/20' GP
		784 pcs/40' GP



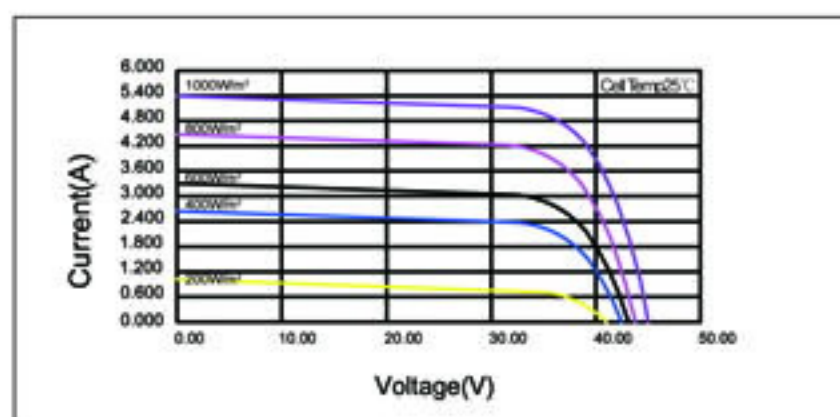
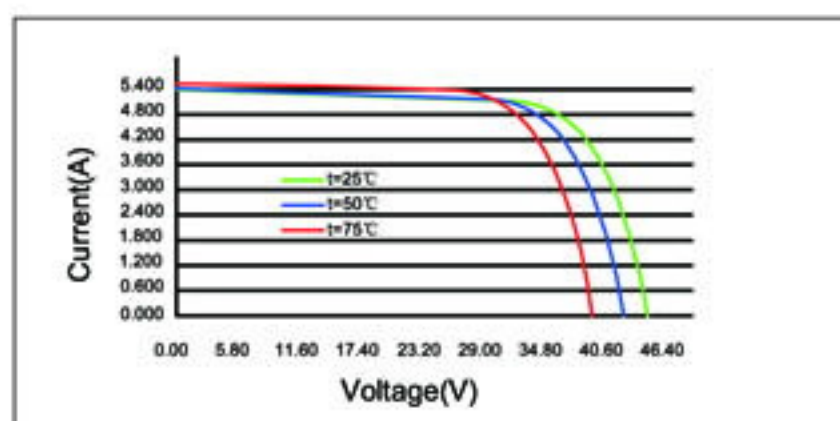


## SPECIFICATIONS

Module Type		SR-M572200-1	SR-M572195-1	SR-M572190	SR-M572185	SR-M572180	SR-M572175
Maximum Power	Pm(W)	<b>200W</b>	<b>195W</b>	<b>190W</b>	<b>185W</b>	<b>180W</b>	<b>175W</b>
Tolerance	(%)	±3	±3	±3	±3	±3	±3
Open Circuit Voltage	Voc(V)	45.10	44.82	44.46	44.21	43.61	43.30
Short Circuit Current	Isc(A)	5.90	5.79	5.70	5.59	5.53	5.43
Maximum Power Voltage	Vm(V)	36.40	36.20	36.00	35.80	35.40	35.20
Maximum Power Current	Im(A)	5.50	5.39	5.28	5.17	5.09	4.98
Module Efficiency	(%)	15.70	15.30	14.90	14.50	14.10	13.70
Solar Cell Efficiency	(%)	18.50	18.00	17.50	17.10	16.70	16.20
Cell Type	(mm)	125×125 (Mono-Crystalline Silicon)					
Number of Cells	(Pcs)	72 (6×12)					
Maximum System Voltage	(V)	DC1000					
Temp.Coeff.of Voc	(%/°C)	-0.35					
Temp.Coeff.of Isc	(%/°C)	0.038					
Temp.Coeff.of Pm	(%/°C)	-0.49					
Operating Temperature	(°C)	-40 to 85					
Nominal Operating Cell Temperature(NOCT)	(°C)	45±2					
Max.Series Fuse	(A)	14					
Wind Bearing	(Pa)	2400					
Pressure Bearing	(Pa)	5400					

STC(Standard Test Conditions): 1000W/m<sup>2</sup> AM=1.5 25°C

## ELECTRICAL CHARACTERISTICS



		1000 W/m <sup>2</sup>	800 W/m <sup>2</sup>	600 W/m <sup>2</sup>	400 W/m <sup>2</sup>	200 W/m <sup>2</sup>	100 W/m <sup>2</sup>
SR-M572200-1	Vmpp	36.40	36.07	35.64	35.13	34.18	33.38
	Impp	5.50	4.40	3.28	2.19	1.08	0.66
SR-M572195-1	Vmpp	36.20	35.87	35.44	34.93	33.99	33.20
	Impp	5.39	4.31	3.22	2.15	1.06	0.65
SR-M572190	Vmpp	36.00	35.68	35.24	34.74	33.80	33.01
	Impp	5.28	4.22	3.15	2.11	1.03	0.63
SR-M572185	Vmpp	35.80	35.48	35.05	34.55	33.62	32.83
	Impp	5.17	4.14	3.09	2.06	1.01	0.62
SR-M572180	Vmpp	35.40	35.08	34.66	34.16	33.24	32.46
	Impp	5.09	4.07	3.04	2.03	1.00	0.61
SR-M572175	Vmpp	35.20	34.88	34.46	33.97	33.05	32.28
	Impp	4.98	3.98	2.97	1.99	0.98	0.60

### Sunrise Headquarters

No.65-22 Xinggang Road, Zhonglou Development Zone, Changzhou 213023 Jiangsu P.R.China.

Tel: +86 (519) 8390 6502 Fax: +86 (519) 8390 6508 E-mail: info@srsolartech.cn Http:// www.srsolartech.cn