

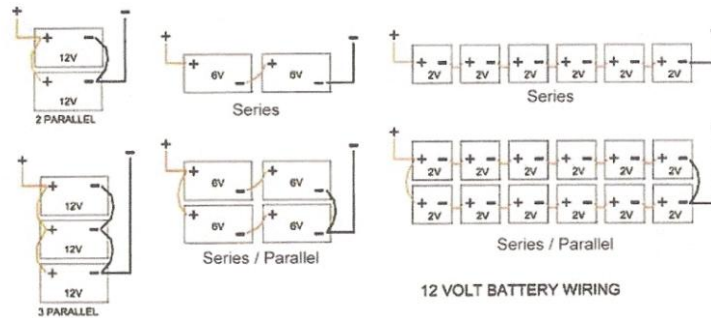


# Basic Battery Connection Diagram

Wiring batteries in a series increases the voltage. For example, wiring two 12-volt batteries in a series increases the voltage to 24-volts.

Wiring batteries in a parallel configuration increases the amps per hour of storage capacity. For example, wiring two 35 amp batteries in a parallel configuration increases the amps to 70 amps per hour of storage capacity.

12 volt battery bank.



24 volt battery bank.

